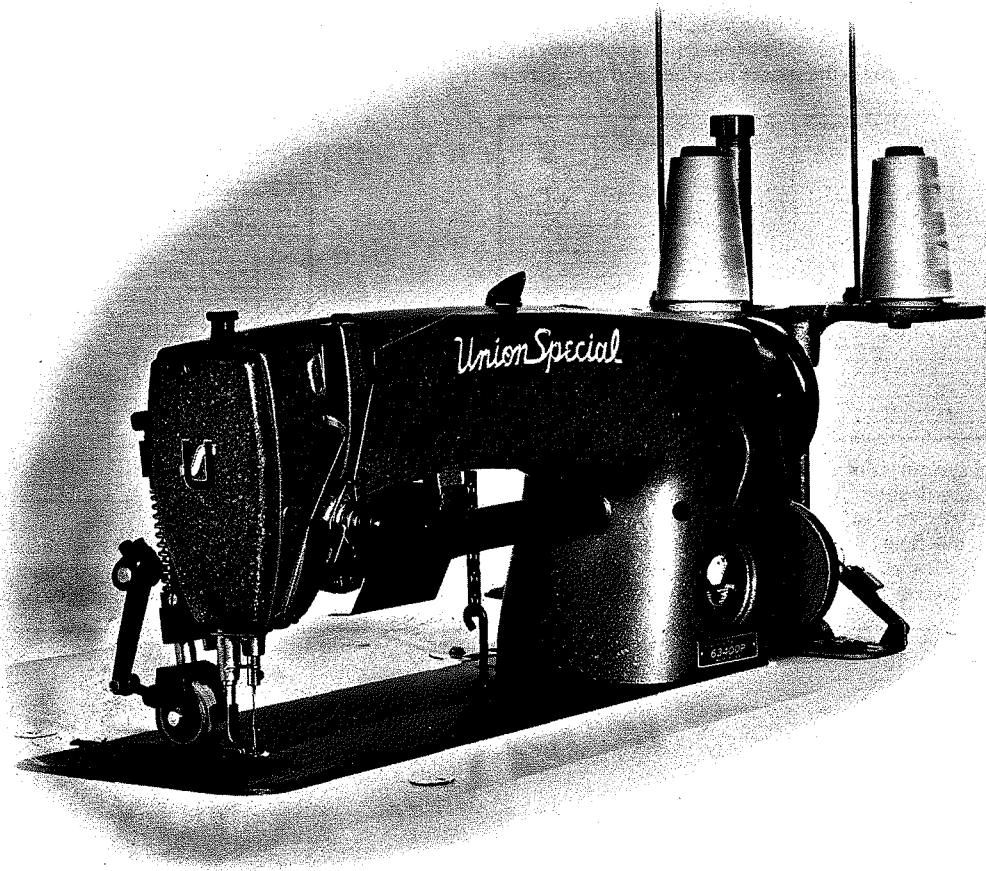


FINEST QUALITY

Union Special[®]
LEWIS[®] • COLUMBIA[®]

**INDUSTRIAL
SEWING
MACHINES**

**STYLES
63400 P
63400 S**



CLASS 63400

STREAMLINED

HIGH SPEED LOCKSTITCH MACHINE

WITH

TOP DRIVEN ROLLER FEED

**CATALOG
No.
121R**

UNION SPECIAL CORPORATION

CHICAGO

Union Special Wants to Help You Cut Sewing Machine Maintenance Costs

Union Special is offering two practical systems to help pinpoint and reduce your sewing machine maintenance costs: a record keeping system to help spot machines requiring abnormally high maintenance, and a parts inventory system to speed routine repairs.

Machine Maintenance Records

Repair-prone machines or inexperienced competent operators can eat up your maintenance dollars in short order. To help spot these problems, Union Special suggests two variations of a simple maintenance record keeping system using cards provided by Union Special.

The first system utilizes a "Machine Maintenance Record" card (Form 237) for each sewing machine in a plant. When a repair is required, the card is pulled from the file and the repair date, parts used, and their cost are entered in the spaces provided and the card is refiled.

The second system is normally used when more detailed information on repair costs is desired. Two record cards are used: a "Repair Request Card" (Form 234), and a "Machine Repair Record" (Form 233). When a machine requires service, the forelady or foreman fills out the top of a "Repair Request Card" and gives it to a mechanic. He fills in the time the repair work is started, the parts used and their cost,

and the completion time. This data is then transferred to the permanent "Machine Repair Record" kept in the office.

Whichever system is used, management now has an invaluable tool to reduce needless maintenance costs.

Repair Part Inventories

While record keeping tells management which machines require abnormally high maintenance, it does little to help reduce the downtime caused by routine repairs. To alleviate this situation, Union Special recommends that manufacturers establish a formal parts inventory system for each type of sewing machine they operate.

Excessive machine downtime and wasted hours by mechanics can be eliminated with an orderly in-plant inventory of the most commonly needed parts. There is no longer a need to cannibalize other machines for spare parts. Long waits for deliveries are avoided and machine downtime is kept to a minimum. The cost of a parts inventory is small when the overall savings are considered.

For free sample copies of the machine record cards and spare part inventory lists for a variety of the most popular machines, contact your local Union Special Representative or write direct to Union Special.

U Union Special
FINEST QUALITY

Style 63400 P

Suggested Minimum Spare Parts List*

Part Number	Description	Minimum Quantity Per 5 Machines	Part Number	Description	Minimum Quantity Per 5 Machines
61420 B	Presser foot (depending on operation)	1	22716 H	Screws for hook thread retainer	6
22775	Presser foot attaching screw	2	22569 H	Hook set screw	4
61205 D	Feed dog (depending on operation)	1	29486 L	Take up lever and needle bar link assembly	1
22768	Feed dog attaching screw	2	269	Nut for feed crank stud	2
22528	Feed dog holder screw	2	22757	Screws for drive link	2
61224 F-063	Throat plate (depending on operation)	1	12934 A	Nuts for drive link screws	2
376	Throat plate screws	4	222 D	Screw for upper thread eyelet	2
183 GXS	Needles (specify size)	100	61470 C	Thread guide	1
22768 A	Needle set screw	2	22766	Screw for thread guide	2
29474 P	Rotating hook assembly	1	61414 A	Bobbin case holder positioning finger	1
61413 E	Bobbin case assembly	1	63453	Take up spring	2
61414 C	Bobbin case tension spring	4	63492	Tension post eyelet	1
22716 B	Bobbin case tension spring	4	22775 A	Screw	1
22564 E	Bobbin case tension spring attaching screw	4	63414	Bobbin case holder	1
61212	Bobbins	6	61411 A	Hook thread retainer	1
61210 B	Hook thread deflector	1	22562 B	Needle bar clamp screw	2
22716 A	Screws for hook thread deflector	6	29484	Screw assortment	1

*The parts and quantities listed above are intended to assist you in setting up the initial inventory of spare parts. An efficient inventory can only be established according to actual usage. The nature of the sewing operation will determine actual usage.

Catalog No. 121 R
(Supplement to Catalog No. 121 M)

INSTRUCTIONS
FOR
ADJUSTING AND OPERATING
LIST OF PARTS

CLASS 63400

Streamlined Lockstitch

Styles

63400 P

63400 S

First Edition

Copyright 1969
By
Union Special Corporation
Rights Reserved in All Countries

UNION SPECIAL CORPORATION

INDUSTRIAL SEWING MACHINES

CHICAGO

Printed in U.S.A.

October, 1978

IDENTIFICATION OF MACHINES

Each UNION SPECIAL machine is identified by a Style number on a name plate on the machine. Style numbers are classified as Standard and special. Standard Style numbers have one or more letters suffixed, but never contain the letter "Z". Example: "Style 63400 P". Special Style numbers contain the letter "Z". When only minor changes are made in a standard machine, a "Z" is suffixed to the Standard Style number. Example: "Style 63400 PZ".

Styles of machines similar in construction are grouped under a class number which differs from the style number, in that it contains no letters. Example: "63400".

APPLICATION OF CATALOG

This catalog is a supplement to Catalog No. 121 M and should be used in conjunction therewith. Only those parts which are used on Styles 63400 P and S, but not used on Styles 63400 A or B are illustrated and listed at the back of this book. For clarity, certain 63400 A or B parts are shown in phantom to help locate the 63400 P and S parts.

Opposite the illustration page, parts are identified by detail number, part number, description and amount required.

NOTE: When ordering repair parts always use the part number listed in the second column.

Adjusting and operating instructions for Styles 63400 P and S are similar to those in Catalog No. 121 M for Styles 63400 A and B respectively. The only instructions included in this catalog are the ones that are different from Styles 63400 A and B, or are additional instructions that pertain specifically to Styles 63400 P and S.

The catalog applies specifically to the Standard Styles of machines as listed herein. It can also be applied with discretion to some Special Styles of machines in this class. Reference to direction, such as right, left, front, back, etc., are given from the operator's position while seated at the machine. Operating direction of handwheel is toward the operator.

STYLES OF MACHINES

High Speed Streamlined Long Arm Lockstitch Machines, with Top Driven Roller Feed to Rear of Needle, One Needle, Light, Medium and Heavy Duty, Drop Feed, Rotary Hook, Horizontal Hook Shaft, Push Button Stitch Regulator, Stitch Length Indicator, One Reservoir Enclosed Automatic Lubricating System, Head Oil Siphon, Adjustable Hook Oil Control, Automatic Head Oiling, Needle Bearing Adjustable Feed Eccentric, Needle Bearings for Take-up Lever and Needle Bar Driving Link, Feed Timing on Lower Main Shaft, Maximum Work Space to Right of Needle Bar 11 1/8 Inches.

63400 P For attaching sleeve facings to work and dress shirts and similar operations on light and medium weight work, 1 9/64 inch needle bar travel. Type 183 GXS or 183 GYS needle. Specify presser foot, throat plate, feed dog, stitches per inch, thread size, needle type and size, attachments and guides. Maximum recommended speed 5500 R. P. M. - depending on operation.

63400 S Same as Style 63400 P, except it has 1 13/64 inch needle bar travel and uses Type 180 GXS or 180 GYS needle. Specify presser foot, throat plate, feed dog, stitches per inch, thread size, needle type and size, attachments and guides. Maximum recommended speed 5500 R. P. M. - depending on operation.

NEEDLES

Each UNION SPECIAL needle has both a type number and size number. The type number denotes the kind of shank, point, length, groove, finish and other details. The size number, stamped on the needle shank, denotes largest diameter of the blade measured in thousandths of an inch across the eye. Collectively, the type number and the size number represent the complete symbol, which is given on the label of all needles packaged and sold by Union Special.

Needle Type 180 GXS or 180 GYS is recommended for Style 63400 S and needle Type 183 GXS or 183 GYS is recommended for Style 63400 P. Their description and the sizes available are listed below.

<u>Type No.</u>	<u>Description and Sizes</u>
180 GXS	Round shank, round point, lockstitch, short length, ball eye, single groove, wide angle groove, struck groove, deep spot, ball point, chromium plated - sizes 075/029, 080/032, 090/036, 100/040, 110/044, 125/049, 140/054, 150/060.
180 GYS	Round shank, round point, lockstitch, short length, ball eye, single groove, wide angle groove, struck groove, deep spot, chromium plated - sizes 075/029, 080/032, 090/036, 100/040, 110/044, 125/049, 140/054, 150/060.
183 GXS	Round shank, round point, lockstitch, extra short length, ball eye, single groove, wide angle groove, struck groove, deep spot, ball point, chromium plated - sizes 065/025, 075/029, 080/032, 090/036, 100/040, 110/044.
183 GYS	Round shank, round point, lockstitch, extra short length, ball eye, single groove, wide angle groove, struck groove, deep spot, chromium plated - sizes 075/029, 080/032, 090/036, 100/040, 110/044.

To have needle orders promptly and accurately filled, an empty package, a sample needle, or the type and size number should be forwarded. Use description on label. A complete order would read: "1000 Needles, Type 180 GXS, size 080/032".

Selection of proper needle size should be determined by the size of thread used. Thread should pass freely through the needle eye in order to produce a good stitch formation.

SELECTING THE SIZE OF THE NEEDLE

The strength requirement of the seam produced is largely dependent upon the size of the thread employed. The quality of the work desired is largely dependent upon the size of the needle employed.

The following table shows the preferred size of needle for a given size and kind of thread. The choice, however, should give consideration to factors referred to above, which may dictate the selection of a needle size slightly larger or smaller than the size specified.

<u>Cotton Thread Size</u>	<u>Mercerized Thread Size</u>	<u>Needle Size</u>
0	-	150/060
30	B	140/054 to 150/060
36	A	125/049 to 140/054
40	A	110/044 to 125/049
50	0	110/044 to 125/049
60	00	100/040 to 110/044
70	000	090/036 to 100/040
80	0000	080/032 to 090/036
90	0000	080/032 to 090/036
100	-	075/029 to 080/032

IDENTIFYING PARTS

Where the construction permits, each part is stamped with its part number. Parts too small for a complete catalog stamping are identified by letter symbols which distinguish one part from another that is similar in appearance.

Part numbers represent the same part, regardless of the catalog in which they appear.

IMPORTANT! ON ALL ORDERS, PLEASE INCLUDE PART NAME AND STYLE OF MACHINE FOR WHICH PART IS ORDERED.

ORDERING OF REPAIR PARTS

The arrangement of this catalog is to facilitate easy and accurate ordering of replacement parts for Styles 63400 P and 63400 S.

Exploded view plates at the back, cover the differences between the Standard Styles listed in this catalog and Styles 63400 A and B covered in Catalog No. 121 M. Each plate presents a sector of the machine, parts being aligned as in their assembled position. On the page opposite the illustration will be found a listing of the parts with their part numbers, descriptions and the number of pieces required in the particular view being shown.

Numbers in the first column are reference numbers only, and merely indicate the position of the part in the illustration. Reference numbers should never be used in ordering parts. Always use the part number listed in the second column. Each exploded view plate carries a reference number for each part available for sale.

Sub-assemblies, which are sold complete, or by separate part, are in a bracket or a solid line box on the picture plate. Component parts of sub-assemblies, which can be furnished for repairs, are indicated by indenting their descriptions under the description of the main sub-assembly. Example:

20	29126 DD	Feed Driving Eccentric and Connecting Rod Assembly --	1
21	61438 B	Feed Drive Eccentric Connecting Rod -----	1
22	660-225	Needle Bearing-----	1
23	88	Set Screw-----	1

In those cases where a part is common to all of the machines covered by this catalog, no specific usage will be mentioned in the description. However, when the parts for the various machines are not the same, the specific usage will be mentioned in the description, and, if necessary, the difference will be shown in the illustration.

USE GENUINE NEEDLES AND REPAIR PARTS

Success in the operation of these machines can be secured only with genuine UNION SPECIAL Needles and Repair Parts as furnished by the Union Special Corporation, its subsidiaries and authorized distributors. They are designed according to the most approved scientific principles, and are made with utmost precision. Maximum efficiency and durability are assured.

Genuine needles are packaged with labels marked *Union Special*[®]. Genuine repair parts are stamped with the Union Special trademark, U S Emblem. Each trademark is your guarantee of the highest quality in materials and workmanship.

TERMS

Prices are strictly net cash and subject to change without notice. All shipments are forwarded f.o.b. shipping point. Parcel Post shipments are insured unless otherwise directed. A charge is made to cover the postage and insurance.

INSTALLING

CAUTION! When unpacking, DO NOT lift machine out of box by placing one hand on handwheel. Using both hands on bed casting, lift gently.

Before leaving factory, each UNION SPECIAL machine is sewed off, inspected and carefully packed. After the machine and accessories have been removed from the packing box, the following steps should be followed:

PREPARATION OF MACHINE FOR INSTALLATION

A bag of assembly parts, consisting of one frame thread eyelet, one eyelet attaching screw, one extra bobbin, two hinge studs, and two screws for holding miscellaneous attachments to the bed plate, is packed with each machine.

Insert hinge studs in holes provided for them in rear of cloth plate. Assemble the upper frame eyelet (A, Fig. 2A).

STANDARD ACCESSORIES

Included also with each machine is a box of STANDARD ACCESSORIES--containing one bobbin winder assembly, the machine mounting frame, one oil drain jar and its clamp spring, one knee lifter assembly and its rubber pad, bed positioning spring and screw, four isolator pads and clips, and one machine rest pin. These parts are essential when setting up the machine.

TABLE TOPS

Lockstitch machines are installed in table tops, prepared with cut-out, so that the bed plate is FLUSH with the top of the machine mounting frame.

MACHINE MOUNTING FRAME INSTALLATION

On a suitable tableboard, place machine mounting frame (21393 N) in the machine cut-out with the hinge lugs to the rear (Fig. 1). Insert the countersunk wood screw through left hinge pad and tighten securely. Assemble bed positioning spring 63474 A over right hinge pad; insert round head wood screw and tighten securely. Assemble the retaining plate (21393 R) to outside front of pan section, as shown, and snug up nuts lightly.

Place sewing head in the frame mounting, and after being sure there is about 1/16 inch clearance between the cloth plate edge and the frame sides, rap the retaining plate smartly upward with a hammer to insure a good grip on the underside of the board and tighten locking nuts securely.

Tip machine back against rest pin, and assemble the knee press assembly as shown. All end play of the cross shaft should be taken up by the cone bearings, but must not bind.

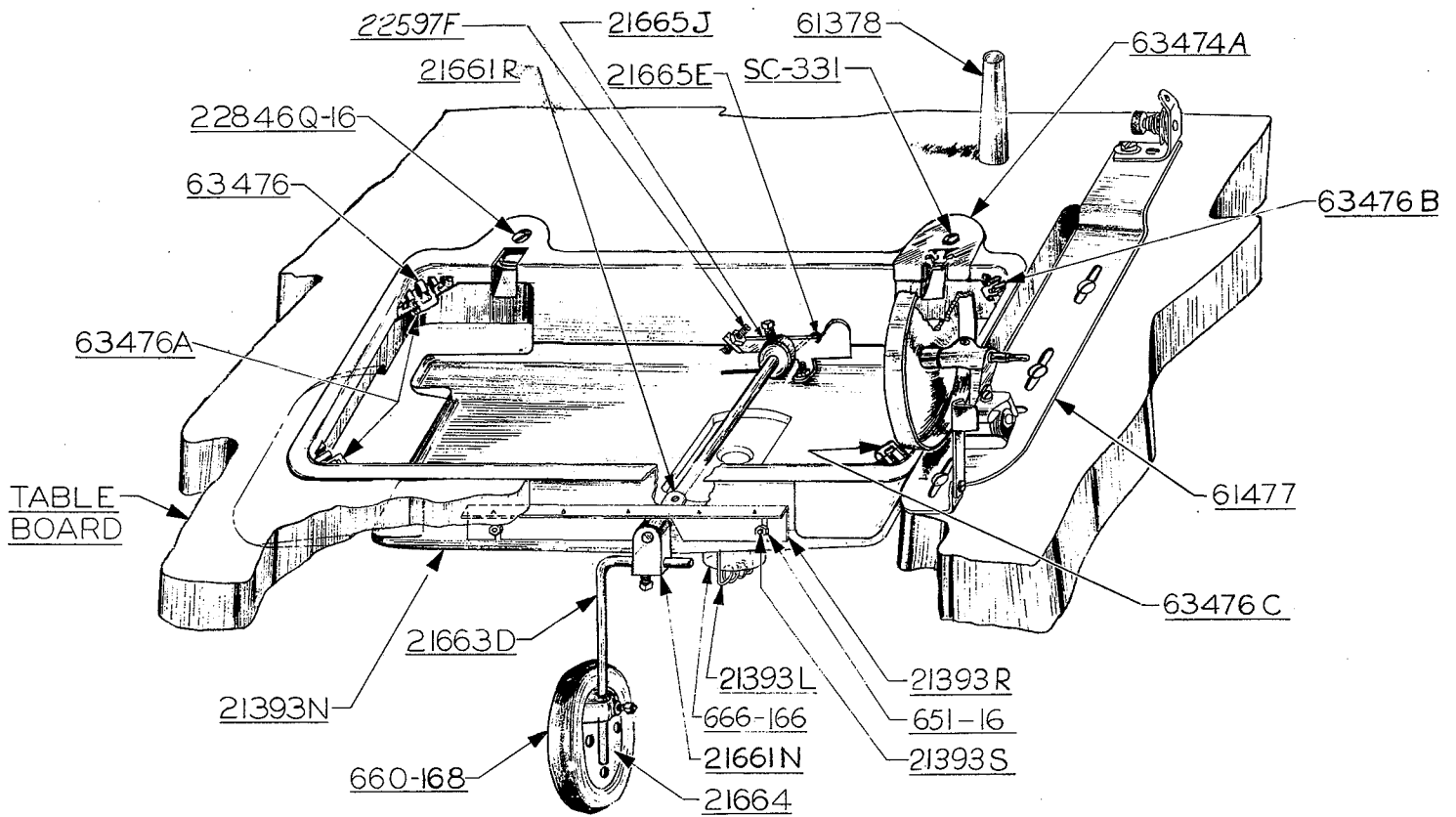


Fig. 1

MACHINE MOUNTING FRAME INSTALLATION (Continued)

Before the machine is put into production, the bell crank (21665 J) of the knee lifter rod should be adjusted. The left stop screw (22597 F) should be set so that the maximum lift of the presser bar and its parts do not interfere with moving parts within the head. This may be done by setting the stop screw so that the presser bar raises approximately 5/16 inch.

BOBBIN WINDER

The bobbin winder should be secured to the table top so that its pulley will be located directly in front of the sewing machine belt and will bear against the belt when in operation. The base of the winder has two elongated attaching holes, which allow the mechanism to be moved closer to or farther away from belt as needed. The pulley of the winder, when in operation, should exert only enough pressure against the belt to wind the bobbin. Regulation and operation of the bobbin winder is described under "Winding the Bobbin", under OPERATOR'S INSTRUCTIONS, in Catalog No. 121 M.

BELTS

These machines are equipped to use either #1 "Vee" or round belts.

THREADING

Thread machine as indicated in Fig. 2A. Threading at check spring has been enlarged for clarity. Needle is threaded from left to right.

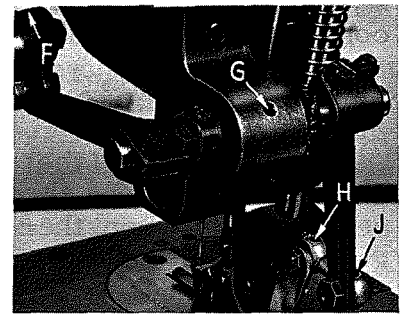
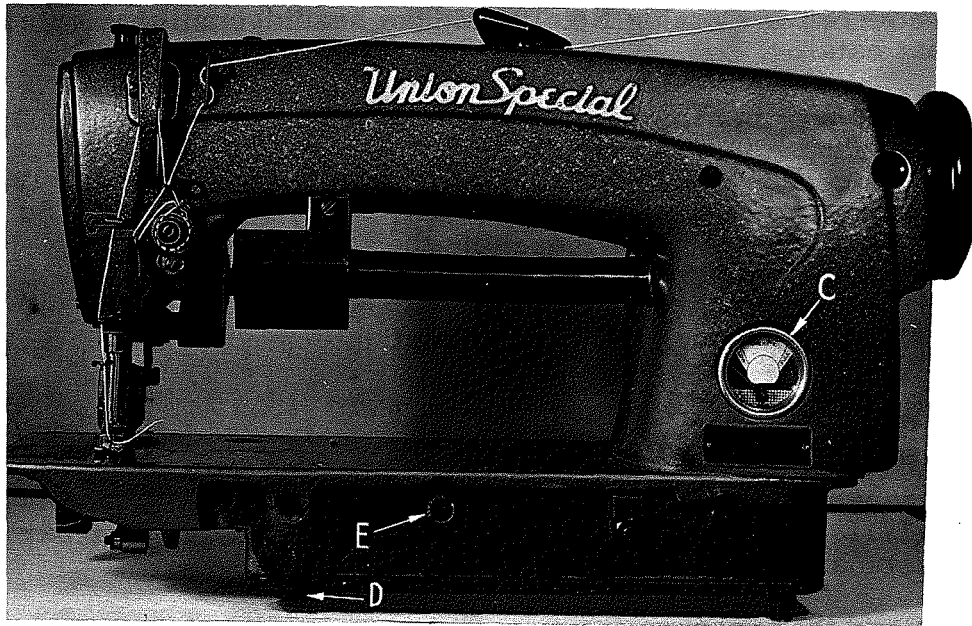
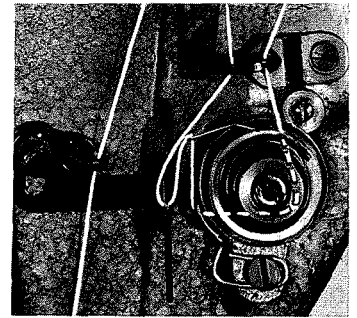
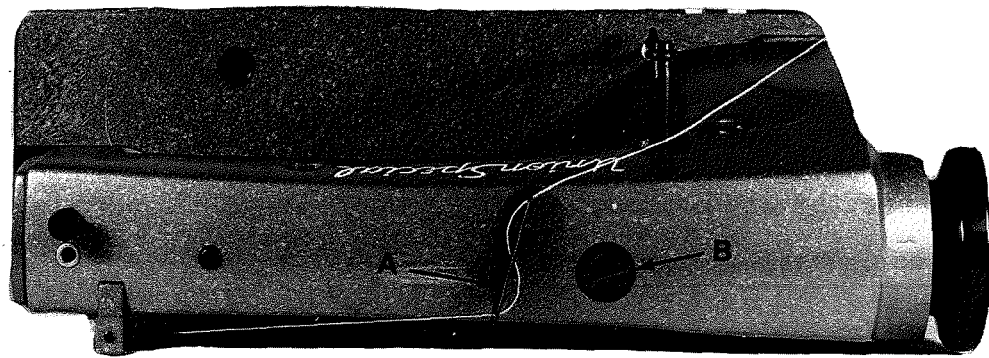


Fig. 2A

OILING

CAUTION! Oil has been drained from the main reservoir before shipment and the reservoir must be filled before starting to operate.

Fill main reservoir at plug screw (B, Fig. 2A) and check oil level at gauge (C); oil is at maximum level when needle is in yellow band marked "FULL". Oil should be added when needle is in yellow band marked "LOW". Use a stainless water-white straight mineral oil of a Saybolt viscosity of 90 to 125 seconds at 100° Fahrenheit in the main reservoir. This is equivalent to Union Special specification No. 175.

Oil may be drained from main reservoir by removing plug screw (D, Fig. 2A).

The quantity of oil supplied to the hook is controlled by dial (E). Turning the dial in the direction of the arrow (counterclockwise) increases the oil flow and in a clockwise direction decreases the flow of oil.

NOTE: The top roller drive mechanism must be manually oiled at three points; this must be accomplished daily, preferably at the start each morning. The three points are as follows:

1. Oil the top roller feed crank link at point (F, Fig. 2A).
2. Oil the top roller rocker arm shaft at point (G).
3. Oil the top roller drive link oil at two points (H and J).

OILING (Continued)

It is recommended that a new machine, or one that has been out of service for a long period, be lubricated by removing the head cover and oiling all the moving parts. After oiling, replace head cover as no further hand oiling will be required. Run machine slowly for several minutes to distribute oil to the various parts. Full speed operation can then be expected without damage.

INSTRUCTIONS FOR MECHANICS

The adjusting instructions for Styles 63400 P and S are the same as for Styles 63400 A and B respectively with the following exceptions and additions. The instructions that are different from those covered in Catalog No. 121 M, the headings will indicate the page it can be found in that catalog.

PRESSER BAR CONNECTION (Page 15)

The presser bar connection (A, Fig. 16A) should be set so that it is approximately $\frac{1}{32}$ inch above the lower presser bar bushing (B, Fig. 16A). This is accomplished by tipping the machine back against the rest pin, loosening the lock nut (A, Fig. 15 - Cat. No. 121 M) and relocating the stop screw (B) on the lifter lever bell crank (C). By turning the stop screw to the right or left, the proper setting of the presser bar connection is accomplished. Tighten the lock nut (A) to lock the stop screw in place.

PRESSER BAR GUIDE (Page 16)

When locating the presser bar guide (C, Fig. 16A) the presser foot must rest directly against the throat plate with the feed dog in its lowest position. The guide is set properly when there is a $\frac{1}{16}$ inch space between the bottom of the presser bar guide (C) and the top of presser bar connection (A, Fig. 16A).

To obtain this setting, remove the pressure from the presser spring (D) and loosen set screw (E). Tap on the presser foot to insure its being down on the throat plate. Set the guide to the $\frac{1}{16}$ inch dimension, center the foot by turning it so that the needle enters the middle of the needle slot. Retighten screw (E) in guide and apply pressure to the presser foot by turning the presser spring regulator (F) clockwise.

Set the thread pull-up bracket (G, Fig. 16A), so that the underside of the wire is $4\frac{3}{4}$ inches above the throat plate (Fig. 16A).

ADDITIONAL ADJUSTING INSTRUCTIONS FOR STYLES 63400 P and S

The feed dog should be set to the desired number of stitches per inch with the puller (top roller) disengaged. After this is accomplished, engage the puller.

The puller is timed so that it has completed its travel before the points of the needle enters the thickest part of the material being sewn. Synchronization of the puller with the feed dog is of the utmost importance. The puller should begin feeding at the same time the feed dog begins its feeding cycle.

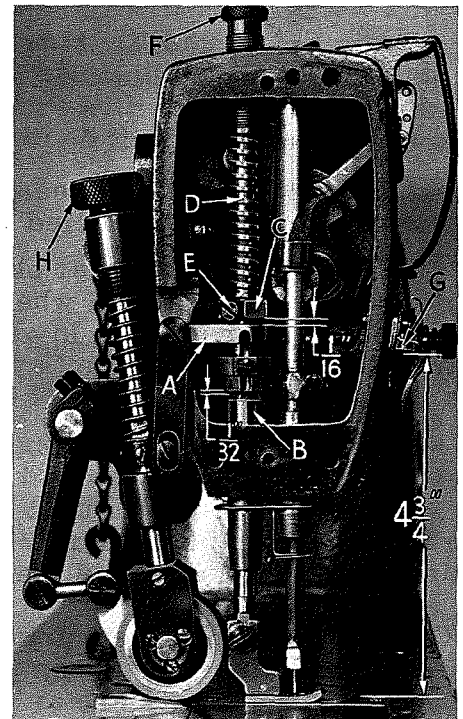


Fig. 16A

ADDITIONAL ADJUSTING INSTRUCTIONS FOR STYLES 63400 P and S (Continued)

If this is not so, turn the handwheel in the operating direction to a point where the puller roller starts to revolve. Loosen the two set screws holding the puller drive shaft head (A, Fig. 28), hold the puller drive shaft head in place and turn the handwheel until the tops of the feed dog teeth are flush with the top of the throat plate at the beginning of the feeding cycle. Retighten set screws, making sure that all end play is removed from the puller drive shaft.

The puller should continue feeding until the feed dog has completed its feeding cycle and both should stop feeding at the same time. It should not allow material build up between the presser foot and puller when running at slow or high speeds. The material should be kept taut at all times. The puller should not feed faster than that of the feed dog.

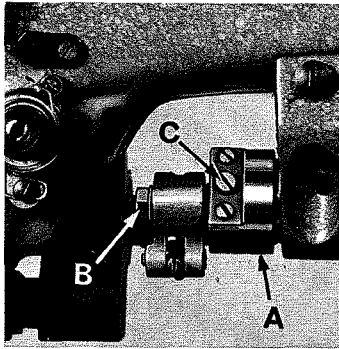
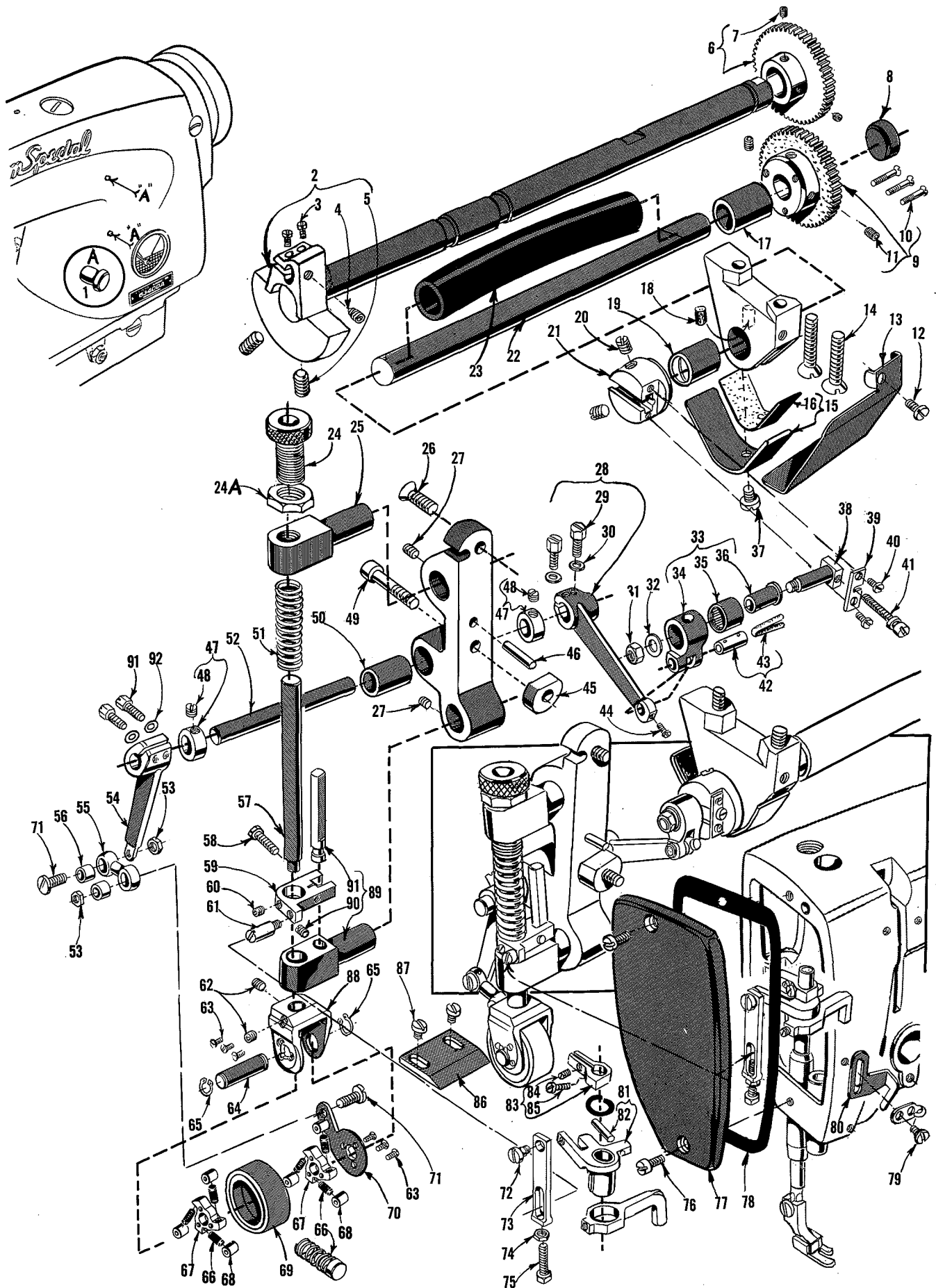


Fig. 28

This adjustment is accomplished by loosening lock nut (B, Fig. 28) (it has a left hand thread) on the end of the puller regulating stud. Turn screw (C) clockwise to decrease the puller roller travel or counterclockwise to increase the puller roller travel. Retighten lock nut (A).

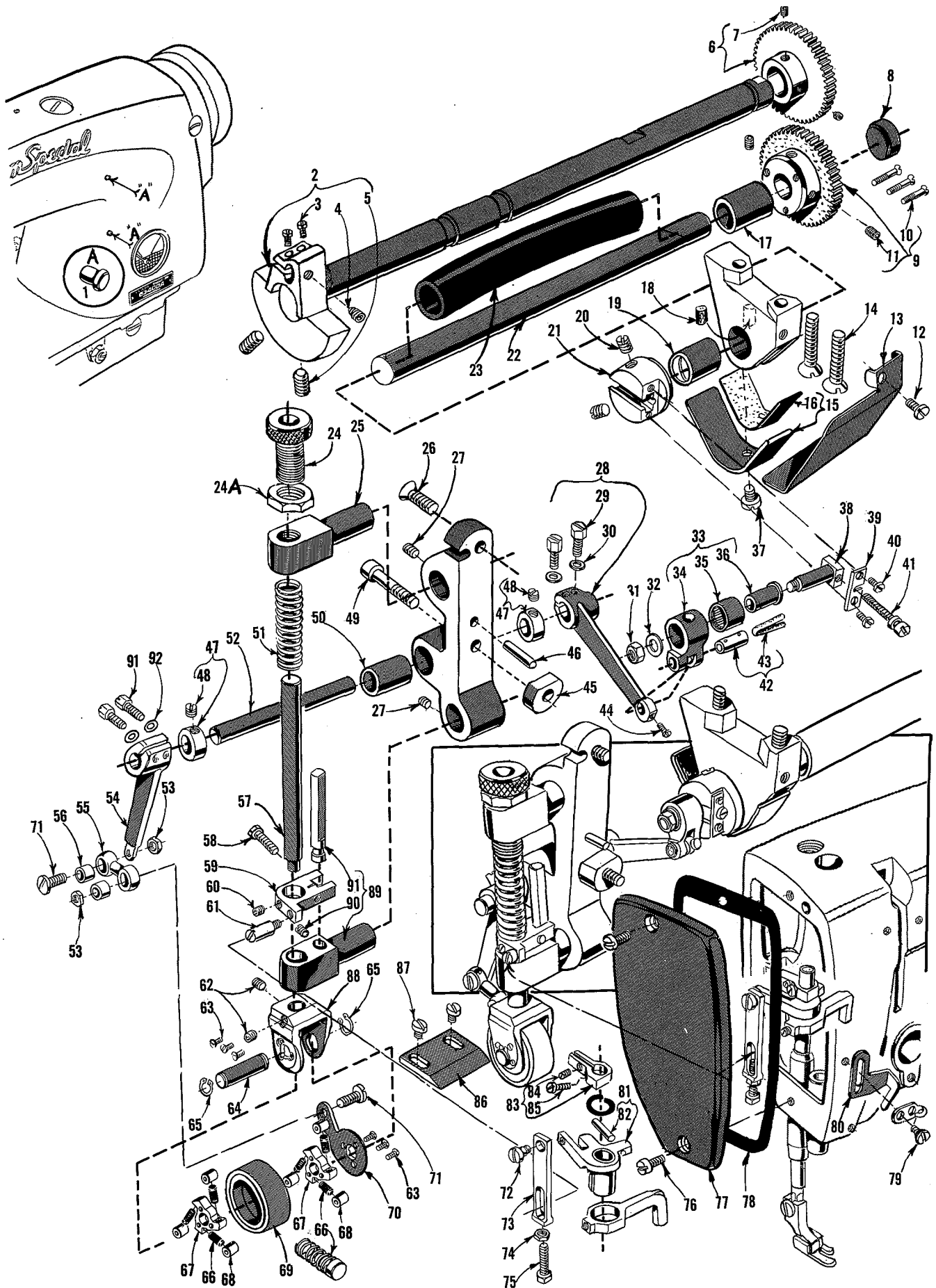
PRESSURE ON TOP ROLLER FEED

Make sure there is enough pressure on the material going under the puller roller. The puller should cross over seams uniformly, but be sure there is enough pressure to ensure good feeding. Turning the regulator (H, Fig. 16A) clockwise increases and counterclockwise acts the reverse.



TOP DRIVEN ROLLER FEED MECHANISM AND MISCELLANEOUS PARTS

<u>Ref. No.</u>	<u>Part No.</u>	<u>Description</u>	<u>Amt. Req.</u>
1	63494 B	Plug, plastic, for arm -----	2
2	29475 AM	Mainshaft and Counterweight Assembly, for Style 63400 P -----	1
-	29475 BK	Mainshaft and Counterweight Assembly, for Style 63400 S -----	1
3	22839	Screw -----	2
4	22894 U	Spot Screw -----	1
5	22894 V	Set Screw -----	2
6	63439 U	Puller Driving Gear -----	1
7	22651 CD-3	Set Screw -----	2
8	63493 A	Bed Plug -----	1
9	63439 V	Puller Driven Gear -----	1
10	22525 C	Screw -----	3
11	22894 J	Set Screw -----	2
12	22711	Screw, for guard -----	1
13	63439 X	Guard, for roller drive shaft -----	1
14	22657 E-24	Screw, for roller drive shaft bracket -----	2
15	63979 A	Oil Shield, for roller drive shaft bushing -----	1
16	666-244	Felt Lining -----	1
17	63479 C	Roller Drive Shaft Bushing, right -----	1
18	666-198	Felt Oil Wick, for roller drive shaft -----	1
19	63479 D	Roller Drive Shaft Bushing, left -----	1
20	22591	Screw, for roller drive shaft head -----	2
21	63439 R	Roller Drive Shaft Head -----	1
22	63439 Y	Roller Drive Shaft -----	1
23	63479 A	Roller Drive Shaft Sleeve -----	1
24	54277 C	Presser Spring Adjusting Screw -----	1
24A	35733 G	Nut -----	1
25	63439 L	Upper Puller Roller Guide -----	1
26	22656 D-12	Screw, for puller mechanism main support -----	1
27	22894 C	Set Screw, for puller roller guides -----	2
28	51235 A	Feed Rocker Arm -----	1
29	22519 C	Screw, for feed rocker arm -----	2
30	51235 G	Washer, for feed rocker arm -----	2
31	269	Nut, for feed crank stud -----	1
32	20	Washer, for feed crank stud -----	1
33	63439 AE	Feed Crank Link Assembly -----	1
34	51236 D	Feed Crank Link -----	1
35	660-169	Needle Bearing -----	1
36	63439 AD	Ferrule -----	1
37	22730	Screw, for oil shield -----	1
38	51236 G	Feed Crank Stud -----	1
39	51236 B	Feed Crank Stud Cap -----	1
40	22768	Screw, for feed crank stud cap -----	2
41	82	Adjusting Screw, for feed crank stud -----	1
42	51054	Feed Link Crank Pin -----	1
43	666-149	Felt Wick -----	1
44	77	Screw, for feed rocker arm -----	1
45	63439 W	Spacer, for puller mechanism main support -----	1
46	53564 G	Dowel Pin, for puller mechanism main support -----	1
47	482	Collar, for puller rocker arm shaft -----	2
48	98	Screw -----	1
49 to 93		See following page	



TOP DRIVEN ROLLER FEED MECHANISM AND MISCELLANEOUS PARTS

<u>Ref. No.</u>	<u>Part No.</u>	<u>Description</u>	<u>Amt. Req.</u>
1 to 48		See the preceding page	
49	22652 D-20	Screw, for puller mechanism main support -----	1
50	63485 A	Bushing, for puller mechanism main support-----	1
51	63477	Presser Spring, for puller roller -----	1
52	63439 E	Puller Rocker Arm Shaft -----	1
53	12934 A	Nut, for drive link screw -----	2
54	63439 D	Clutch Puller Rocker Arm -----	1
55	51770-56	Drive Link -----	1
56	51771	Ferrule, for drive link -----	2
57	54277 J	Presser Bar, for puller roller -----	1
58	T38	Screw, for roller presser bar and lifter -----	1
59	63439 S	Roller Presser Bar and Lifter -----	1
60	22894 P	Set Screw, for roller presser bar and lifter -----	1
61	22892 A	Screw, for roller lifter link -----	1
62	22894 C	Screw, for upper roller and puller clutch bracket-----	2
63	605 A	Screw, for feed clutch disc-----	6
64	63439 J	Upper Puller Roller Shaft -----	1
65	660-208	Truarc Ring, for upper puller roller shaft -----	2
66	29480 KP	Clutch Roller Spring and Wear Cap Assembly -----	6
67	63439 M	Feed Clutch Disc-----	2
68	63439 N	Clutch Roller -----	6
69	63439 Z	Feed Roller, rubber -----	1
*	63439 H	Feed Roller, steel tooth (not shown)-----	1
70	63439 P	Clutch Driving Lever -----	1
71	22757	Screw, for drive link -----	2
72	86	Screw, for roller lifter link -----	1
73	63439 AK	Roller Lifter Link -----	1
74	907	Nut, for No. 99245 -----	1
75	99245	Screw, for No. 63439 AK -----	1
76	22516	Screw, for head cover -----	2
77	61482 GA	Head Cover -----	1
78	63482 K	Head Cover Gasket -----	1
79	22766	Screw, for needle thread pull-off bracket -----	1
80	63970 A	Needle Thread Pull-off Bracket -----	1
81	63458 E	Tension Release Bushing and Guide -----	1
82	660-219 B	Roll Pin -----	1
83	63459 B	Presser Bar Guide -----	1
84	73 C	Set Screw -----	1
85	22570	Screw-----	1
86	61439 P	Feed Plate, for top feed roller -----	1
87	376	Screw, for feed plate -----	2
88	63439 C	Upper Roller and Puller Clutch Bracket -----	1
89	63439 K	Lower Puller Roller Guide -----	1
90	22894 C	Screw-----	1
91	63439 AF	Guide Bar -----	1
92	22519 C	Screw, for clutch puller rocker arm -----	2
93	51235 G	Washer, for clutch puller rocker arm -----	2
†	22564	Screw, for No. 63494 -----	1
†	61494 N	Retaining Grommet -----	1
†	63494	Siphon Primer Position Bracket -----	1
†	63494 D	Head Oil Siphon Assembly-----	1
†	63494 M	Oil Siphon Connecting Tube-----	1

* Available as an extra send and charge item only.

† Not shown on picture plate.



Union Special[®]
INDUSTRIAL SEWING MACHINES

UNION SPECIAL maintains sales and service facilities throughout the world. These offices will aid you in the selection of the right sewing equipment for your particular operation. Union Special representatives and service men are factory trained and are able to serve your needs promptly and efficiently. Whatever your location, there is a Union Special Representative to serve you. Check with him today.

ATLANTA, GA.

BOSTON, MASS.

CHICAGO, ILL.

DALLAS, TEXAS

LOS ANGELES, CAL.

NEW YORK, N. Y.

PHILADELPHIA, PA.

MONTREAL, CANADA

TORONTO, CANADA

BRUSSELS, BELGIUM

LEICESTER, ENGLAND

LONDON, ENGLAND

PARIS, FRANCE

STUTT GART, GERMANY

Representatives and distributors in all important industrial cities throughout the world.

UNION SPECIAL CORPORATION
400 N. FRANKLIN ST., CHICAGO, ILL. 60610